

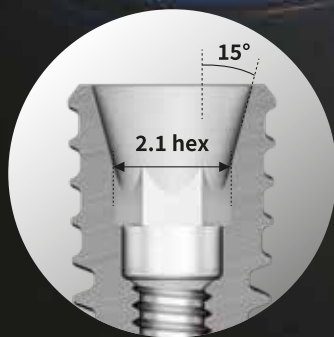
KS system

New key Solution
from OSSTEM

Even Stronger Implant!

Fatigue fracture strength enhanced
by 2.4 times as compared to existing products.

- 15° Morse Taper Stability
- Deep Connection Stability
- Thick wall Stress



Single Platform



2.1 hex



Use a single abutment for all implant diameters.

OSSTEM[®]
IMPLANT

OSSTEM IMPLANT Co., Ltd.
3, Magokjungang 12-ro, Gangseo-gu, Korea
www.osstem.com