

K3[™] Unit Chair

Amazingly Attractive!

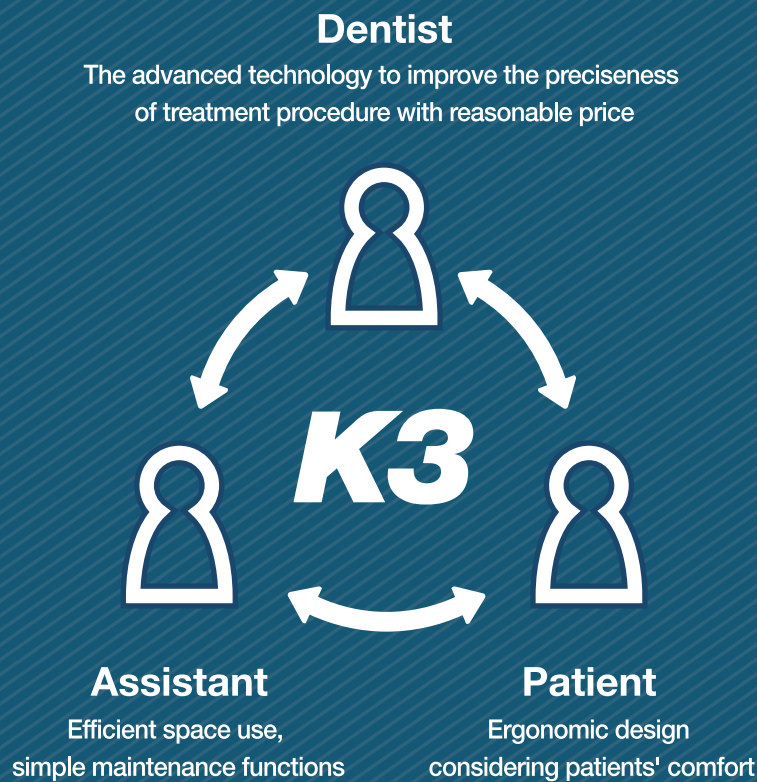
Healing Unit Chair K3, presented by Osstem Implant.

The smart technology optimized for dental clinic setting, Improving the preciseness of treatment; the simple, emotional design considering the flow line; and convenience will bring a great satisfaction to dentists, assistants and patients.



Attractive Design to All!

The most advanced technology, attractive design and reasonable options-
The Healing Unit Chair provides you with everything!



Simplicity & sophisticated

Simplicity added, complexity taken away. The stylish design not only matches any interior design but also creates a pleasant environment, making every patient comfortable.



Detail in detail

The smart module improves treatment preciseness, with the ergonomic design enhancing patients' comfort. The efficient structure of the side table and operation buttons facilitate prompt support by dental assistants.



Usage & attitude

A variety of colors and options with a wide range of choices with high-quality standard features in reasonable price. A superior, customized unit chair to satisfy customers' tastes and styles.



Beyond expectation

Perfect quality is realized by thorough service. Swift customer service and distinguished active service can help practitioners provide precise treatment and patients find psychological stability.





Detail in detail for Dentists



the harmonious combination of these features will create the perfect clinical outcome. The smart and clean technology of K3 will improve dentists' intuition and minimize unnecessary movement. Our efforts to create the best clinical setting continue.

For smart & Accurate treatment **Dr.Table & Others**

Dr. Table of K3, equipped with 4.3" full color LCD display panel, lets the dentists get all the information needed for practice at a glance. The wide table, mouse pad, and chart holder can improve the preciseness and efficiency of treatment. Moreover, the various additional functions for the water-irrigating hand piece, lamp switch, RPM setting, and timer allow the operations to be done in a more stabilized, careful manner. In addition, the K3 chair, designed to offer adjustable height with wide range, provides a variety of positioning to create the best treatment setting.





Quick fact!

Film viewer function
 The film viewer function can be activated by pressing the button on the operating panel, which turns the entire LCD display panel into white backlight for the visualization of intra-oral film.

Information display (animation)

Detailed information in the form of various animations on the LCD display makes the user realizes the operation condition of the devices and controls at a glance.



Cart Type



Smart tool resting function

With the LED signal light showing the tool resting condition, the angle of the holder-designed to facilitate easy access to the tools-improves the accuracy of tool resting.



Scaler power control function

The scaler power control knob placed on the table provides easy control of the scaling power.



RPM preset function

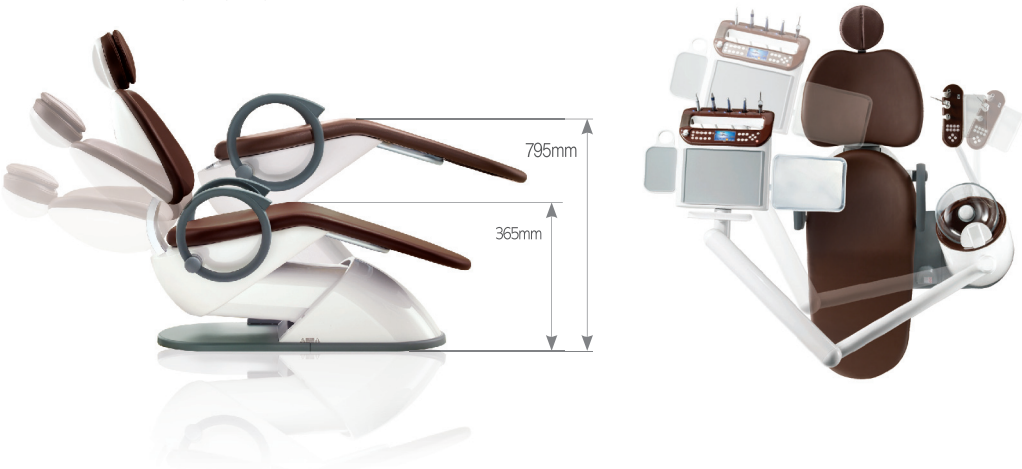
Up to 3 of RPM setting-speed hand piece can be controlled from 2,000 rpm to 40,000 rpm; up to 3 rpm settings that are most frequently used can be preset, permitting a wide range of clinical applications. (when equipped with an electric motor)

Chart holder / Mouse pad / Expandable table

The chart holder-which can accommodate the tablet PC-as well as the conventional chart, wide mouse pad, and expandable table for holding additional devices will increase treatment efficiency.

The most optimized positioning during treatment

The K3 chair provides the most optimized positioning for clinicians and assistants as well as patients during treatment by adopting adjustable height control from 365 mm up to 795 mm, smooth table movement, and relatively easy way to make room.



Detail in detail for Assistants

Buttons for accurate support and accessories considering user convenience will reduce the work steps and improve promptness for the assistant. This will help the assistants enhance their ability to fulfill the needs of clinicians and patients.



Effective for the treatment Assistant Table & Unit

The assistant table of K3 is designed to provide the most efficient arrangement for consumables and operating tools on the table. The swivel side table can enhance convenience during treatment without disrupting the flow line of the clinician while working on the patient. The tube-shaped unit leaning toward the patient side reflects our ardent desire for patient recovery, with its firm fixation to the ground increasing stability. Moreover, the user convenience and functionality of K3 are maximized with wide spittoon container, USB port, etc.





Quick fact!

Easy to Clean
 Besides the spittoon container and cup holder, the one-touch detachable water feed tip helps keep the system clean easily.

Operation panel

Various functions including button for manual positioning, spittoon container, and button for light on/off are mounted on the operating panel of the K3 side table.



Rotating double-jointed table arm

K3 table arm with rotating double-joint enhances space utilization for the assistant and user-friendliness.



Water supply system with double sensor / Glass spittoon container

K3's water feed and Glass spittoon container are designed in convenient-to-use height and shape for patients of all ages, promoting the comfort of the patient. In addition, the water supply system with dual sensor can control the volume of water to be supplied; the wide, transparent glass spittoon container makes the cleaning process easier and more sanitary.



With adjustable water supply / Switch for hot water

A knob for controlling the amount of water supply and drain and an ON/OFF switch for hot water are placed on the front side of the unit, facilitating access by the assistant and providing user convenience.



USB Port & 220V power socket

The USB port and 220V power socket that come with the unit expand its connectivity to other devices.

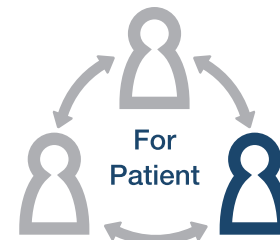


Suction filter & side rack

The easily washable suction filter makes cleaning and maintenance easier; the detachable side rack can hold various tools during treatment.



Detail in detail for Patients



From the chair giving custom-made comfort to the unit offering convenience and delight- the ergonomic design of K3 will provide comfortable treatment experience to the patient and realize perfect dental care.

Ergonomical designed Patient Chair

The patient chair, which adopts high-performance hydraulic motor, and the unit separated from the chair and fixed to the ground minimize shaking during chair height adjustment. Moreover, a patient can maintain the most comfortable posture thanks to the wide back support and seating and head rest applying ergonomic design.



Arm-rest

The vertically movable arm rest gives better access in and out of the patient chair for the patient. The circle-shaped arm rest gives consideration to the patient's comfort and a great grip feeling so that the patient can rest his/her arms while sitting up or lying down during the treatment procedure.



Head-rest & Back-rest

The head rest is outstanding durability with designed angle to support the patient's head comfortably and easy height adjustment in one touch & no-load control function. The wider back support compared to conventional chairs and design enfolding the patient's shoulder give the patient comfort in any position and allow maintaining proper distance between the clinician and the patient.



Care unit with ground fixation, hydraulic system design

The patient chair equipped with a high-performance hydraulic motor and the unit fixed to the ground produce minimal shaking and noise during chair height adjustment.



Light & Accessories

The delicate functionality and design add final touches to the excellence of K3. Light and accessories are designed considering the user's gaze and flow line, enhancing the quality of practice.

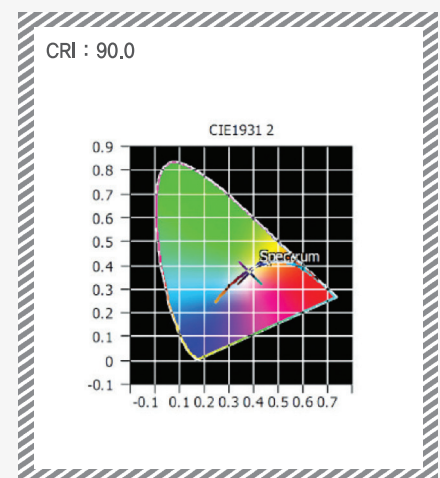
Dental Light

Provided as standard equipment, the LED lamp with 6 levels of brightness control can enhance the treatment's procedural efficiency while minimizing patient discomfort. In addition, the blue cut-off technology applied to the lamp eliminates troublesome resin-hardening problem.



*K3 Dental LED Light Key Features

Technological Feature	Benefit
Long life, No replacement:	The LED lamp, which can last more than 30,000 hours (even if you use it for more than 2,000 hours per year), can be sustained for more than 15 years, reducing the burden of lamp replacement.
No IR:	LED with no infra-red emission does not cause heat generation, for comfortable treatment for both clinician and patient.
CCT 5000K	K3 LED lamp gives bright, clear light with color temperature of around 5000K; it is perfect for visualizing the teeth and inside of the oral cavity.
CRI > 90.0	CRI (Color rendering index) K3 LED light is higher than 90. Such high color rendering property can aid in more elaborate color-matching during implant or prosthetic treatment, facilitating efficient treatment procedure.
Blue cut-off	By adopting blue cut-off technology, chronic problems such as resin hardening can be eliminated.



Accessories

The three-in-one system featuring paper cup holder, tissue holder, and side table adds simplicity to the overall design; the monitor holding arm with triple joints helps get perfect display view from every angle of gaze.



All-in-one console (containing paper cup holder, tissue holder, and side table)



Monitor holding arm

Dr.Stool

Dr. Stool equipped with ergonomic design will enhance comfort and banish fatigue due to long time treatment.



Foot Controller

The joy stick-type foot controller with its user-centered design ensures outstanding controllability with ease of chair positioning, hand piece rpm change, scaler operation, etc.



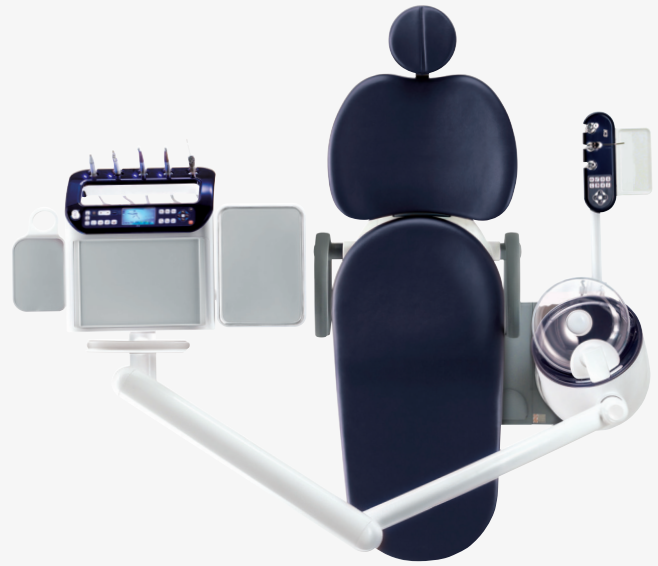
Color Options

K3 is available in a wide range of colorful options, so it blends harmoniously with any clinic interior.

1. Brown



2. Dark Blue



3. Red



4. Orange



5. Ivory



6. Light Green



7. Light Blue



8. Light Violet



The colors in the printed images may differ from those of the actual product

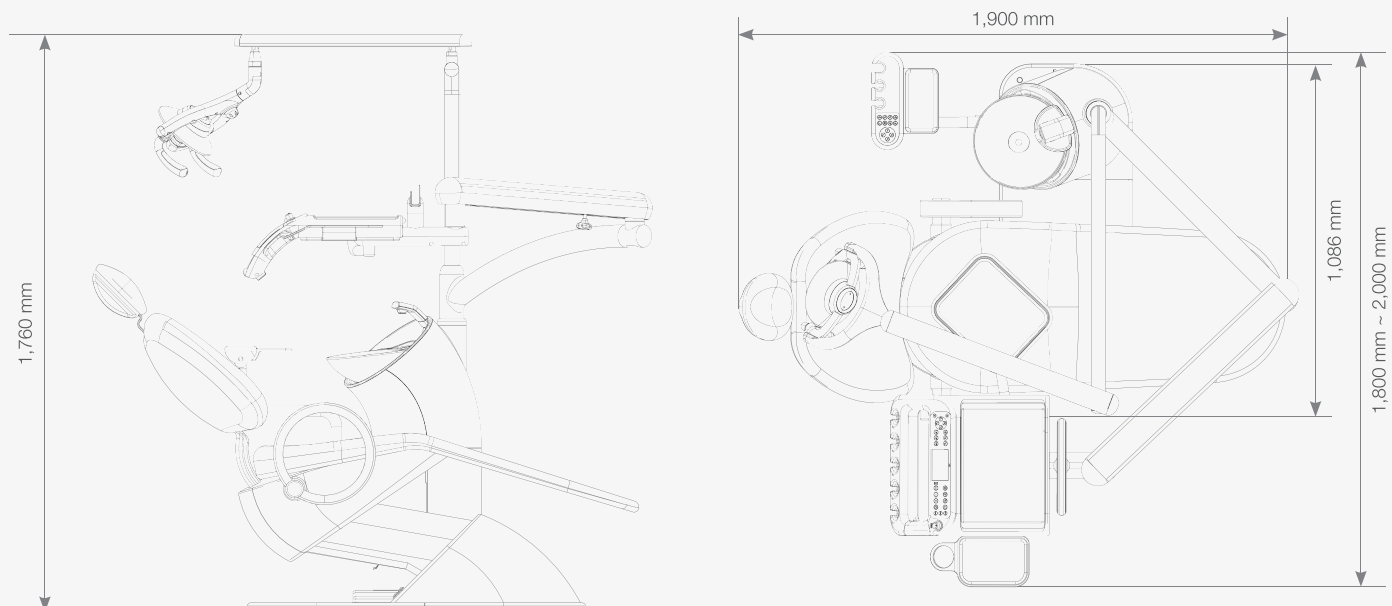
Specification

K3 will complete the best clinical setting with high-quality standard features and various options to choose from.

	Standard Features	Optional Features
Table Type	Mount or Cart type (select 1)	
Highspeed Handpiece	Osstem H310L & CL 2set (20W, LED-Optic, 4hole-spray)	Osstem H510L & CL (16W, LED-Optic, 4hole-spray, Mini head)
Lowspeed Motor	Osstem AE (air mode, external water supply)	Electric motor (Brushless, internal water supply, LED-Optic)
Lowspeed Contraangle	Osstem A200E (Push-button, external water supply)	
Lowspeed Straight	Osstem A400E (external water supply)	
Ultrasonic Scaler	Osstem S3 BIK (made by EMS)	DIT SONICbuff 300 DIT SONICbuff 300L (LED)
Stool	Dr.Stool	Assist.Stool
Other devices:	3-Way syringe 2set Vacuum syringe 1set Salivar ejector 1set	

*Standard and optional features subject to change depending on the company's policy

Dimensions



Introducing Osstem's Research Institute

Permanent, natural like reconstruction of missing teeth,
good as the original one is THE ultimate goal of the Osstem Research Institute.



Osstem Research Institute has accumulated a wealth of experience and infrastructure. It is this experience and infrastructure that has gain worldwide recognition and reputation. Our aim is to lead the world in dental implant design and biocoating through advance digital and fundamental technology.

Our R&D strategy for continuous achievements:

- 01** Continuous investments
- 02** Acquisition of excellent research manpower
- 03** Focus & Aim
- 04** Acquisition of disruptive technology
- 05** Inter-expert network