

122 Taper KIT (O122TPK)



122 Taper Full KIT (O122TPFK)

For **TSIII / IV** **SSIII** **USIII / IV**

For **TSIII / IV** **SSIII** **USIII / IV** **III / IV Ultra-wide**

Top panel components

Top panel components

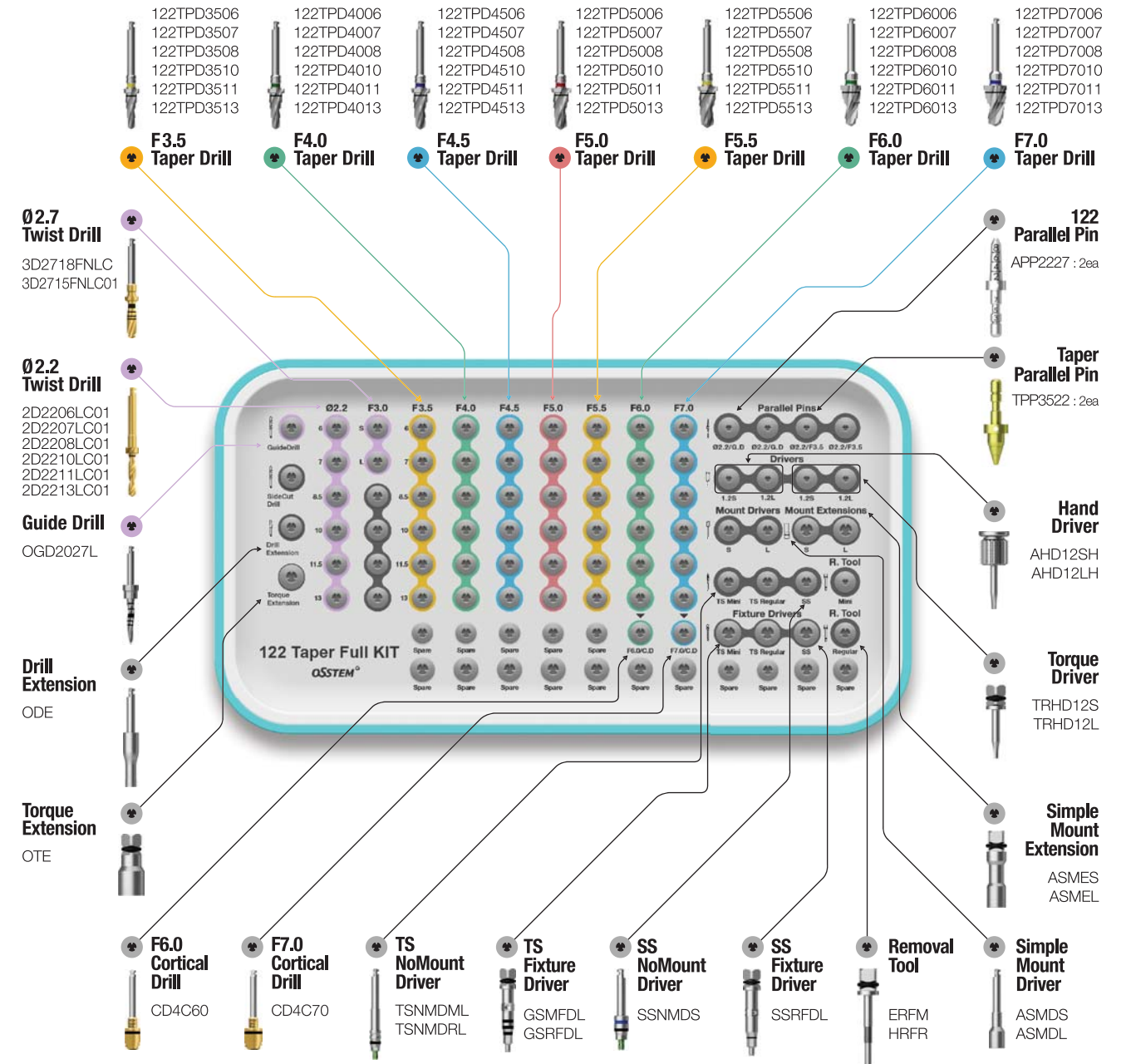
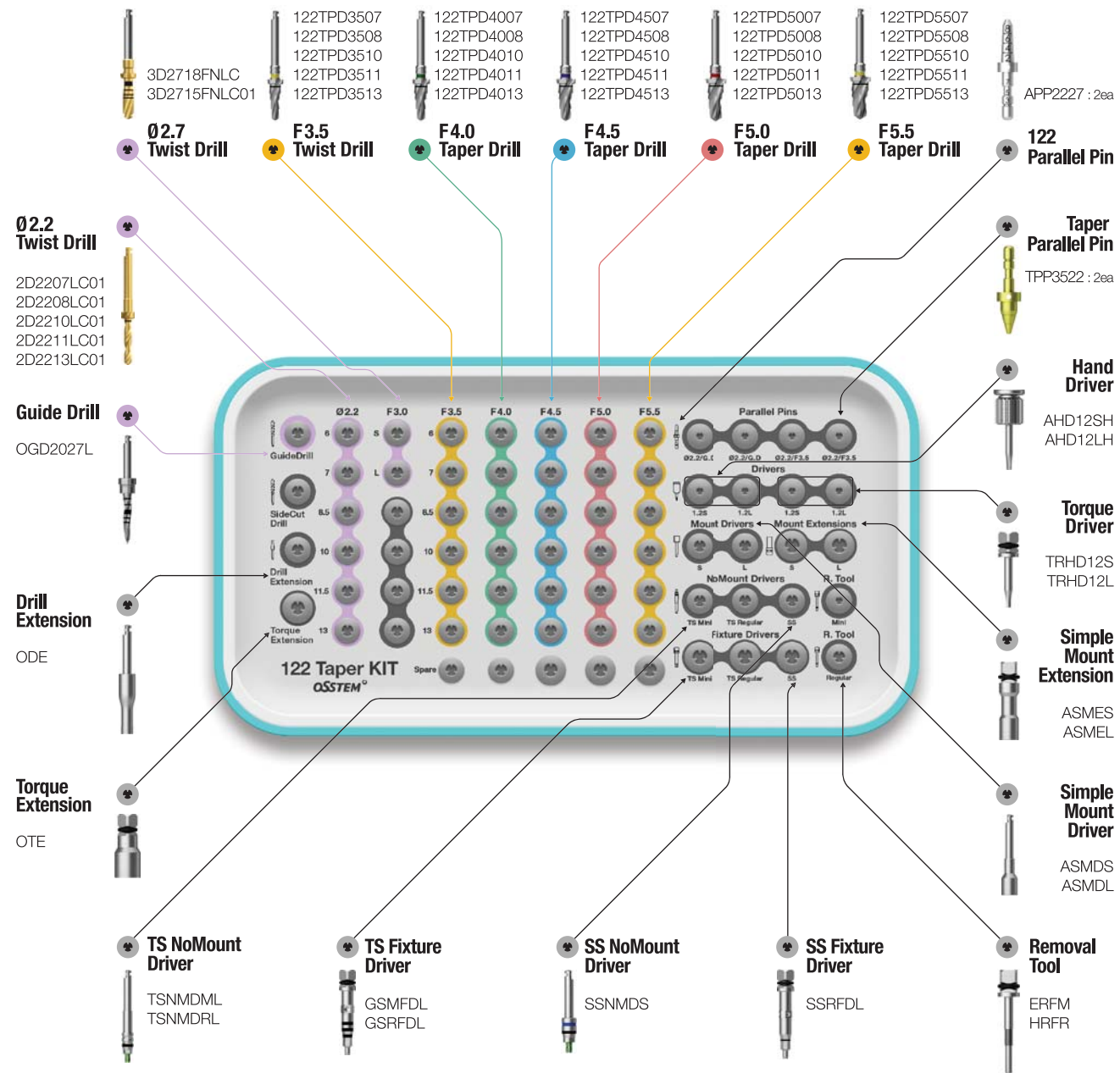
Torque Wrench
TW30B

Torque Wrench
TW30B



Depth Gauge
OSDG

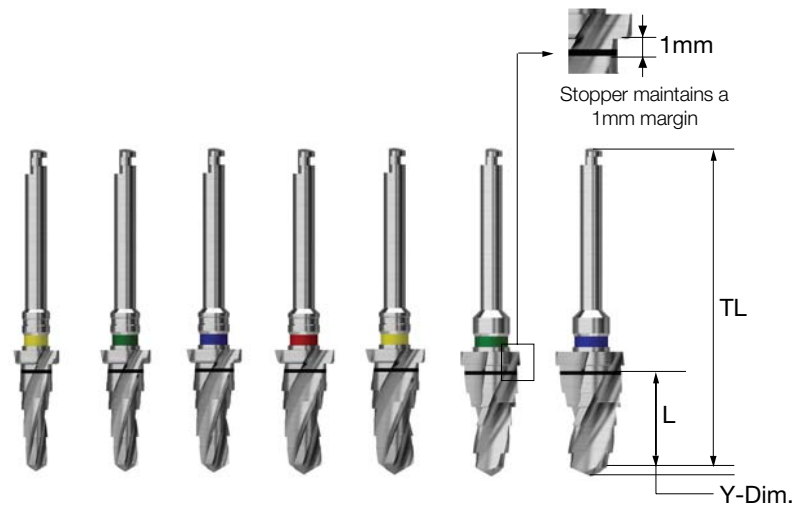
Depth Gauge
OSDG



122 Taper KIT Surgical Instruments

122 Taper Drill

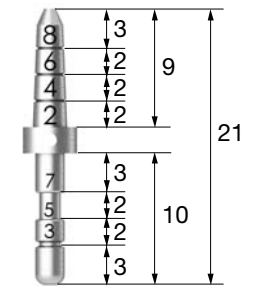
- Taper drill for taper (III type) fixture
- Specification by diameter and length
- Color coding displays fixture diameter
- One step large-diameter drill is used to remove cortical bone from the hard bone
- 122 taper KIT single item (excluded from taper KIT)
- F = Fixture



L	TL	F3.5	F4.0	F4.5	F5.0	F5.5	F6.0	F7.0
	Y-Dim.	0.7	0.9	1.0	1.0	1.0	1.0	1.0
4.0	29.5	122TPD3504	122TPD4004	122TPD4504	122TPD5004	122TPD5504	-	-
5.0	29.5	122TPD3505	122TPD4005	122TPD4505	122TPD5005	122TPD5505	-	-
6.0	30.5	122TPD3506	122TPD4006	122TPD4506	122TPD5006	122TPD5506	122TPD6006	122TPD7006
7.0	31.5	122TPD3507	122TPD4007	122TPD4507	122TPD5007	122TPD5507	122TPD6007	122TPD7007
8.5	33	122TPD3508	122TPD4008	122TPD4508	122TPD5008	122TPD5508	122TPD6008	122TPD7008
10	34.5	122TPD3510	122TPD4010	122TPD4510	122TPD5010	122TPD5510	122TPD6010	122TPD7010
11.5	34.5	122TPD3511	122TPD4011	122TPD4511	122TPD5011	122TPD5511	122TPD6011	122TPD7011
13	36	122TPD3513	122TPD4013	122TPD4513	122TPD5013	122TPD5513	122TPD6013	122TPD7013
15	38	122TPD3515	122TPD4015	122TPD4515	122TPD5015	122TPD5515	-	-
Color		Yellow	Green	Blue	Red	Yellow	Green	Blue

Parallel Pin for 122 Taper Drill

- Parallel pin for 122 taper drill
- Used for checking position and direction of bone preparation
- Lower part for 2.2 drill, upper part for guide drill
- 122 taper KIT single item (excluded from taper KIT)
- Other components same as taper KIT

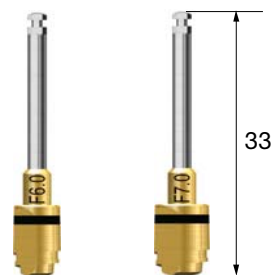


APP2227

※ Refer to surgical instruments for other components (106p~)

Cortical Drill for Ultra-Wide

- Drill used to remove cortical bone from hard bone (for ultra-wide)
- Dedicated drill by fixture diameter
- It is recommended to drill to the bottom line of the marking line
- F = Fixture



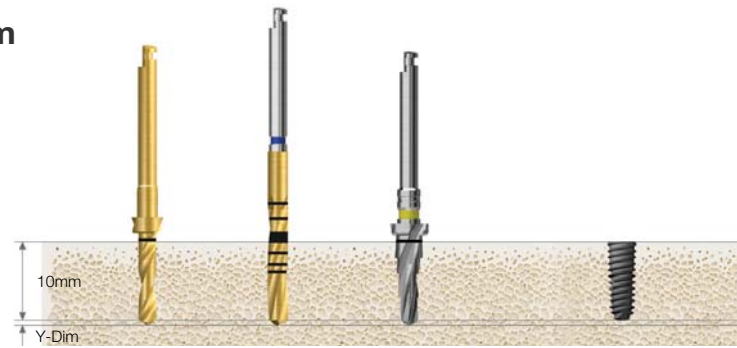
F6.0 CD4C60
F7.0 CD4C70

Drilling Sequence 122 Taper Drill

TSIII | SSIII | USIII

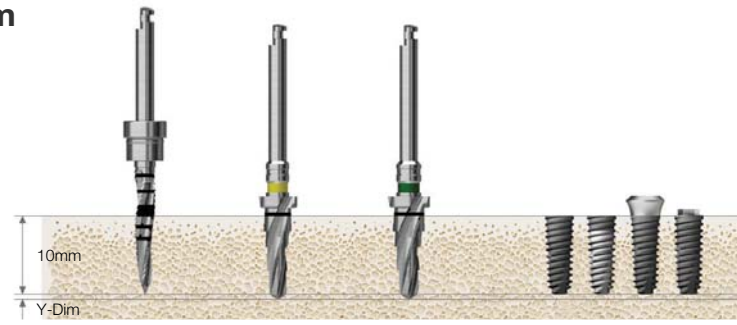
(Length : 10mm)

Ø3.0mm



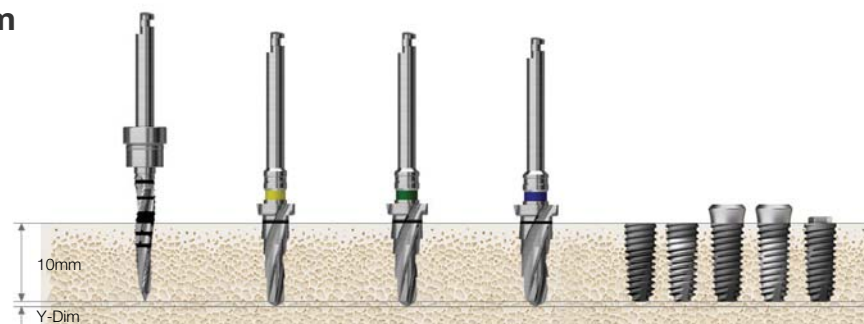
Bone Quality	Ø 2.2 Drill	Ø 2.7 Drill	F3.5 Taper Drill	Ø 3.0 Fixture
Soft	▶			
Normal	▶	▶		Implant Placement
Hard	▶		▶	

Ø3.5mm



Bone Quality	Guide Drill	F3.5 Taper Drill	F4.0 Taper Drill	Ø 3.5 Fixture
Soft	▶			
Normal	▶	▶		Implant Placement
Hard	▶	▶	▶	

Ø4.0mm



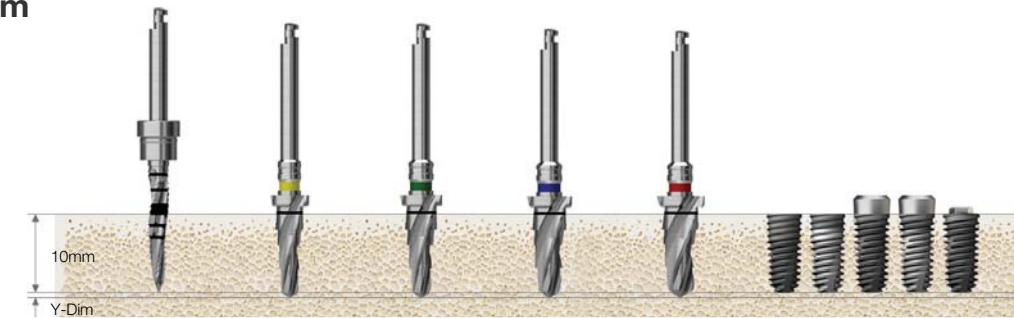
Bone Quality	Guide Drill	F3.5 Taper Drill	F4.0 Taper Drill	F4.5 Taper Drill	Ø 4.0 Fixture
Soft	▶	▶			
Normal	▶	▶	▶		Implant Placement
Hard	▶	▶		▶	

F5.5 taper cortical drill marking line Bottom line 6mm or less, middle line 7mm, top line 8,5mm or more fixture placement standard

Recommended placement torque Below than 40Ncm, TSIII/SSIII HA : below than 35Ncm (In hard bone, HA coating layer cracking and peeling can occur)

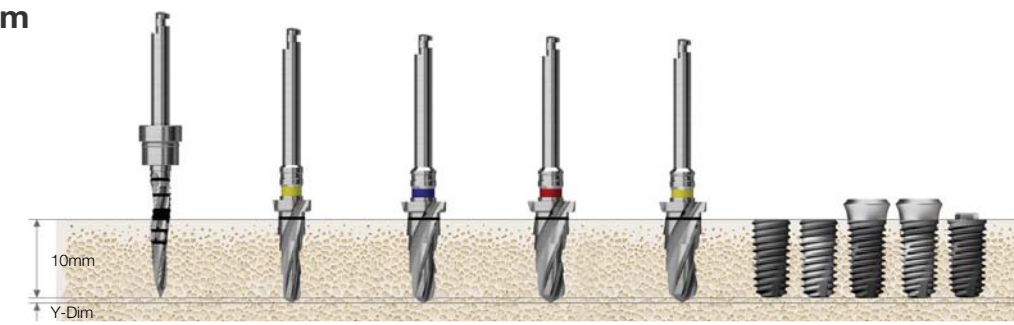
TS fixture placement depth The normal bone is placed 1mm deeper than the bone level, and the soft bone is placed at the bone level to maintain the fixed strength

Ø4.5mm



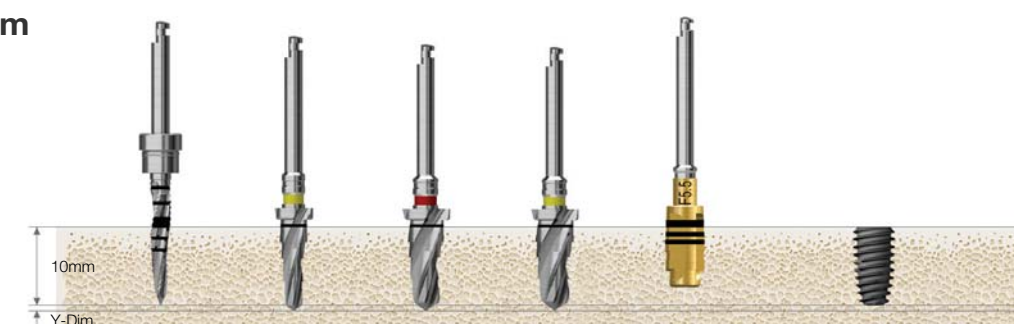
Bone Quality	Guide Drill	F3.5 Taper Drill	F4.0 Taper Drill	F4.5 Taper Drill	F5.0 Taper Drill	Ø 4.5 Fixture
Soft	▶			▶		
Normal	▶	▶		▶		Implant Placement
Hard	▶	▶			▶	

Ø5.0mm



Bone Quality	Guide Drill	F3.5 Taper Drill	F4.5 Taper Drill	F5.0 Taper Drill	F5.5 Taper Drill	Ø 5.0 Fixture
Soft	▶			▶		
Normal	▶	▶		▶		Implant Placement
Hard	▶	▶			▶	

Ø5.5mm



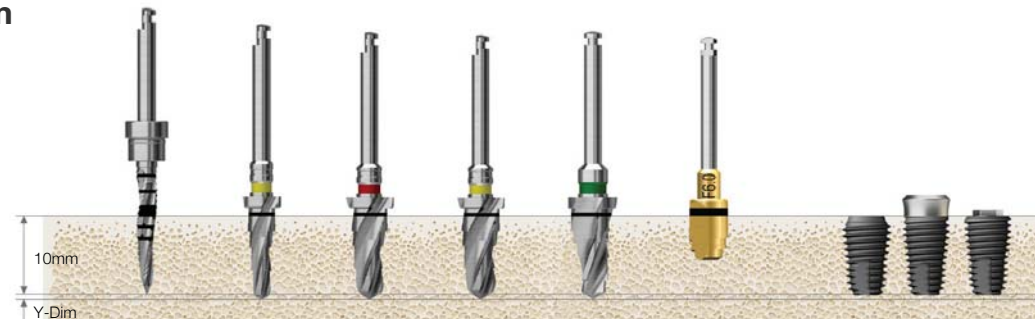
Bone Quality	Guide Drill	F3.5 Taper Drill	F5.0 Taper Drill	F5.5 Taper Drill	F5.5 Taper Cortical Drill	Ø 5.5 Fixture
Soft	▶			▶		
Normal	▶	▶		▶		Implant Placement
Hard	▶	▶			▶	

Drilling Sequence 122 Taper Drill

TSIII Ultra-wide | SSIII Ultra-wide | USIII Ultra-wide

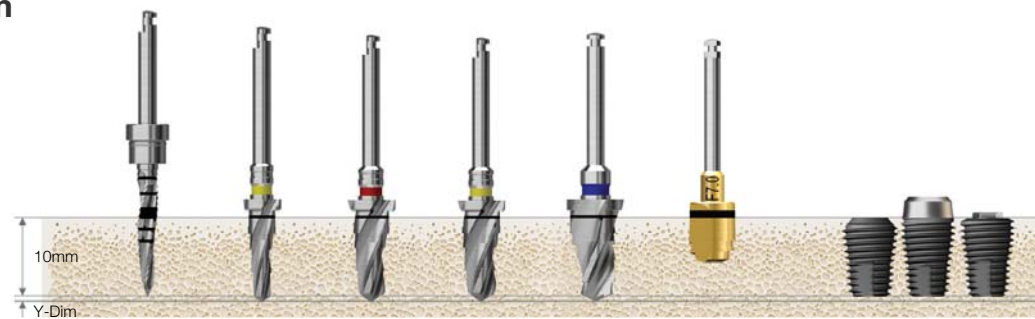
(Length : 10mm)

Ø6.0mm



Bone Quality	Guide Drill/Drill	F3.5 Taper Drill	F5.0 Taper Drill	F5.5 Taper Drill	F6.0 Taper Drill	F6.0 Cortical Drill	Ø 6.0 Fixture
Soft	▶		▶	▶			Implant Placement
Normal	▶	▶	▶		▶		
Hard	▶	▶	▶		▶	▶	

Ø7.0mm



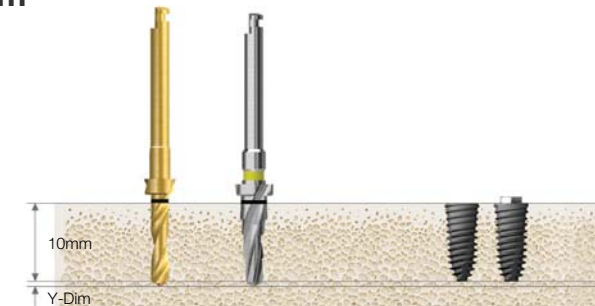
Bone Quality	Guide Drill/Drill	F3.5 Taper Drill	F5.0 Taper Drill	F6.0 Taper Drill	F7.0 Taper Drill	F7.0 Cortical Drill	Ø 7.0 Fixture
Soft	▶		▶	▶			Implant Placement
Normal	▶	▶	▶		▶		
Hard	▶	▶	▶		▶	▶	

Drilling Sequence 122 Taper Drill

TSIV | USIV

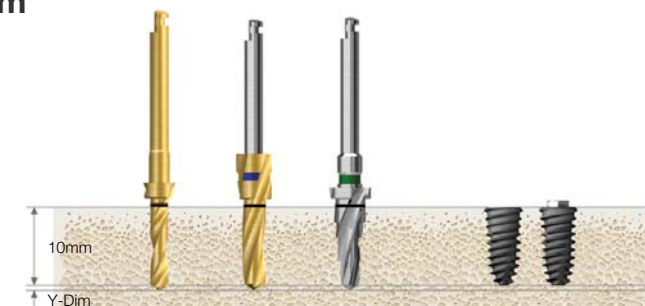
(Length : 10mm)

Ø4.0mm



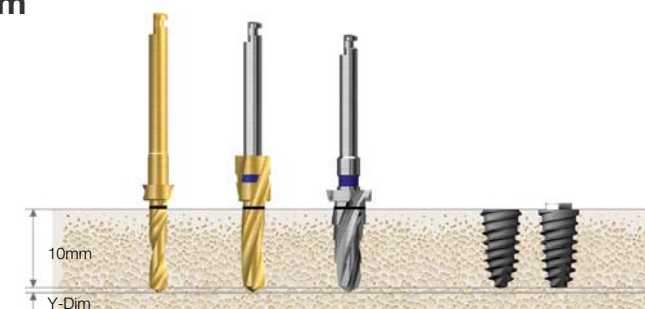
Bone Quality	Ø 2.2 Drill	F3.5 Taper Drill	Ø 4.0 Fixture
D4	▶		Implant Placement
Soft	▶	▶	

Ø4.5mm



Bone Quality	Ø 2.2 Drill	Ø 3.0 Drill	F4.0 Taper Drill	Ø 4.5 Fixture
D4		▶		Implant Placement
Soft	▶		▶	

Ø5.0mm



Bone Quality	Ø 2.2 Drill	Ø 3.0 Drill	F4.5 Taper Drill	Ø 5.0 Fixture
D4		▶		Implant Placement
Soft	▶		▶	

F5,5 taper cortical drill marking line Bottom line 6mm or less, middle line 7mm, top line 8,5mm or more fixture placement standard

Recommended placement torque Below than 40Ncm, TSIII/SSIII HA : below than 35Ncm (In hard bone, HA coating layer cracking and peeling can occur)

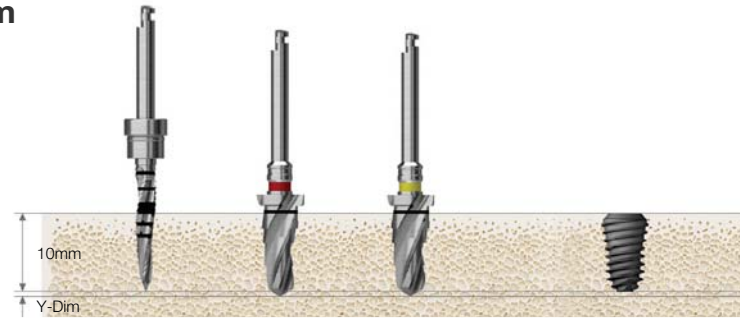
TS fixture placement depth The normal bone is placed 1mm deeper than the bone level, and the soft bone is placed at the bone level to maintain the fixed strength

Drilling Sequence 122 Taper Drill

TSIV Ultra-wide

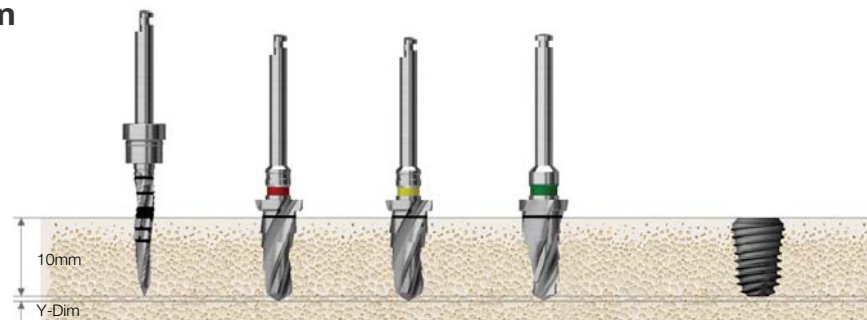
(Length : 10mm)

Ø6.0mm



Bone Quality	Guide Drill	F5.0 Taper Drill	F5.5 Taper Drill	Ø 6.0 Fixture
D4	▶	▶		Implant Placement
Soft	▶	▶	▶	

Ø7.0mm



Bone Quality	Guide Drill	F5.0 Taper Drill	F5.5 Taper Drill	F6.0 Taper Drill	Ø 7.0 Fixture
D4	▶	▶	▶		Implant Placement
Soft	▶	▶	▶	▶	

OSSTEM[®]
IMPLANT

F5,5 taper cortical drill marking line Bottom line 6mm or less, middle line 7mm, top line 8,5mm or more fixture placement standard

Recommended placement torque Below than 40Ncm, TSIII/SSIII HA : below than 35Ncm (In hard bone, HA coating layer cracking and peeling can occur)

TS fixture placement depth The normal bone is placed 1mm deeper than the bone level, and the soft bone is placed at the bone level to maintain the fixed strength